

# Solar Carport SCP-W-414

DATASHEET



## SCP-W-414

- High maneuverability for cars
- The structure is ready for assembly
- Compatible with all types of foundations
- Galvanized steel

### Flexibility

Mounting system Solar Carport is simple and flexible in assembling and provides optimal metal consumption.

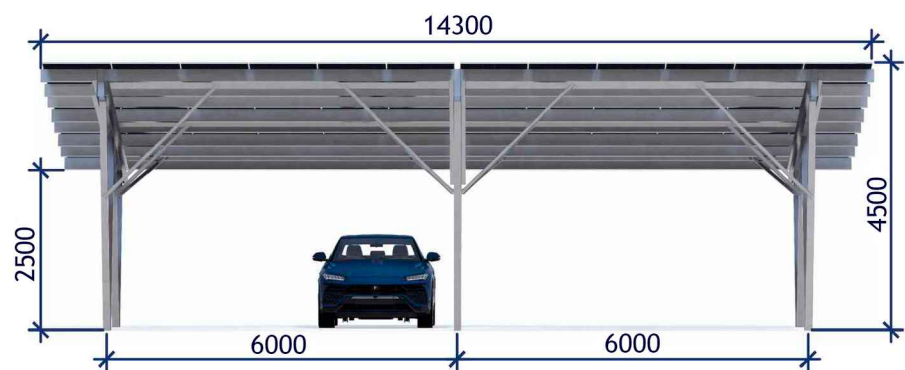
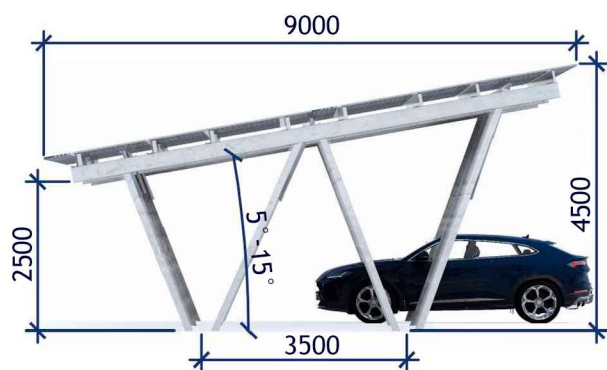
The structure of Solar Carport is designed for installation with any type of PV modules.

### Structure parameters

PV modules tilt angle	5-15°
Mounting surface for a carport	9x14.3 m.
Dimensions of the parking lots	2.9x5 m. or more
Quantity of parking lots	min. 4 lots

### Climatic conditions

Snow loads	up to 2.0 KPa
Wind loads	up to 0.5 KPa



office@solarssk.com.ua  
www.solarssk.com



+38 097 641 80 20  
(office)



Ukraine, Dnipro,  
36-A, Naberezhna Peremohy Str.



# Solar Carport SCP-W-414

## DATASHEET



### Technical specifications

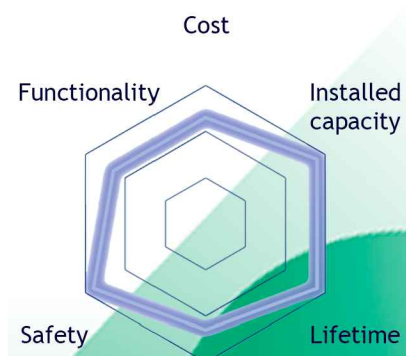
Total DC power	27.1 kWp (depends on PV module type)
Total AC power (recommended)	25 kW (depends on inverter type)
Estimated generation	27 - 42 MWh/year (depends on location)
Specific production	997 - 1550 kWh/kWp/year (depends on location)
Reduction of CO2 emissions	432.1 - 698.5 tons (depends on location)

### Materials and Fastenings

- The structures are made of steel S235JR/S355JR according to EN 10025 with anti-corrosion coating by hot dip galvanizing according to ISO 1461:2022, or galvanized steel coils S350GD/S450GD according to EN 10346 with an anti-corrosion coating of at least 350 g/m<sup>2</sup>.
- Hardware for fastening of metal structure is made of A2-70 stainless steel according to ISO 3506-1:2020 and/or carbon steel Delta according to ISO 898-1:2013.
- Clamping elements for PV modules are made of aluminum alloy AlMg0,7Si (6060/6063) according to EN 573 with an anti-corrosion coating by anodizing according to ISO 7599:2018.

### Warranty conditions

- Mounting systems are warranted by the Manufacturer for a period of 10 years, provided that the requirements of the Installation and Operation Manual as well as the Assembly drawings are followed.
- Mounting system coating is guaranteed according to ISO 9223, atmospheric corrosion category up to C3 (according to ISO 1461 / ASTM A123 and ISO 3575), against perforation corrosion, depending on the type of coating, for a period of:
  - for hot dip galvanizing - 25 years;
  - for other types of coating - mentioned additionally in the specifications of the contract
- The lifetime of the Mounting systems is 25 years and can be extended over time.



Warranted by the manufacturer for a period of 10 years



Fast and cost effective installation



Zinc coating - a guarantee of durability.



office@solarssk.com.ua  
www.solarssk.com



+38 097 641 80 20  
(office)



Ukraine, Dnipro,  
36-A, Naberezhna Peremohy Str.

