

SOLAR_{sk}

TRACKER HSAT HORIZON by SOLAR_{sk}

delivers **UP TO 20% MORE EFFICIENCY**
than conventional fixed-tilt systems during
the **HIGHEST TARIFF HOURS**

TECHNOLOGY THAT DRIVES PERFORMANCE

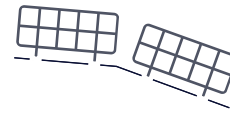


Maximum wind speed: up to 220 km/h*

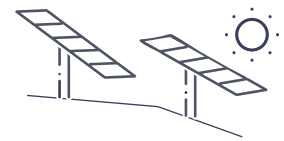
with active protection mode enabled



Proprietary control system



Terrain adaptability



Independent row control



Compatible with all PV module types



Optimized for bifacial modules



Low O&M costs



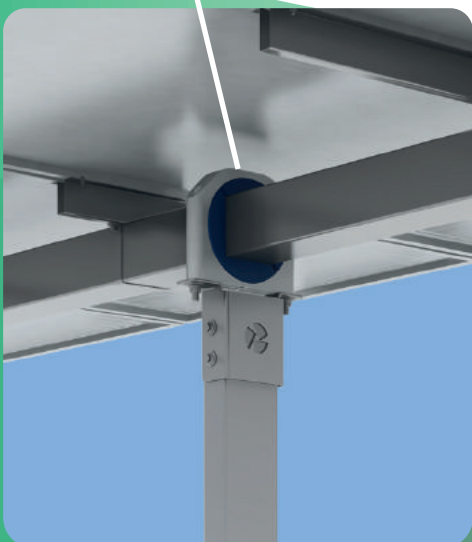
Fast installation

UP TO +20% MORE ENERGY

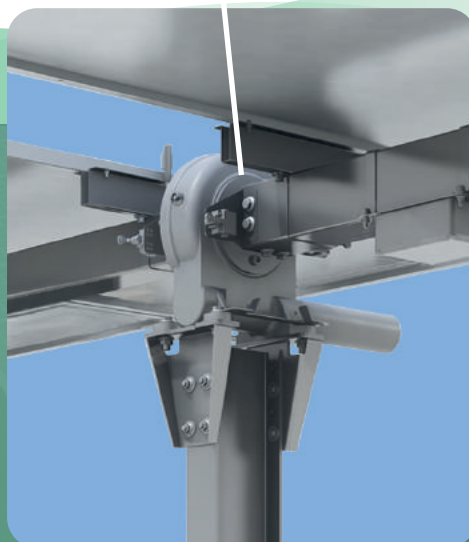
Faster ROI. Higher profitability. Technical overview.

Type:	Horizontal Single-Axis Tracker (HSAT)
Model configuration:	56 × 650+ W modules
Module orientation:	Portrait
Row length:	approx. 75 meters
Tracking range:	±60°
Corrosion protection class:	up to C4
Key components:	Precision bearing · Motor & gearbox · Hydraulic damper

Bearing



Engine and gearbox



Shock absorber

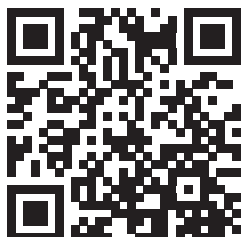
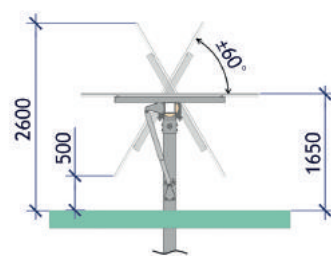
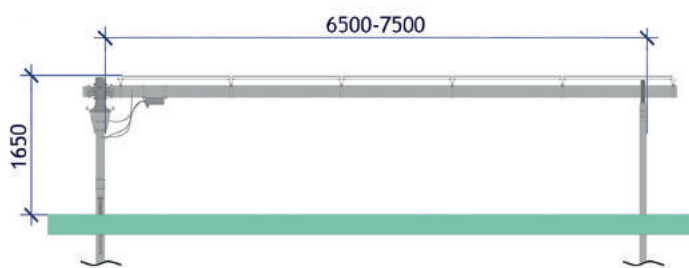


SMART TRACKER = SMART CHOICE

- Integrated **weather station**
- Sensors for snow, wind speed and direction, and temperature
- **Wireless or wired communication**
- **Centralized monitoring and control system**
- **Backtracking function** – minimizes shading losses



- **Higher generation** through dynamic solar tracking
- **Greater revenue** – more kWh during peak hours
- **Faster payback** thanks to superior efficiency
- **Certified materials:** S235JR / S355JR steel (EN 10025), hot-dip galvanized per ISO 1461:2022
- **Warranty:** 10 years on structure, 5 years on electronics and motor (extendable)



Video review of the tracker system



"This tracker isn't just technology. We built it from the ground up — from the first steel profile to the last line of code. It's been tested at our own site, shaped by experience and passion. HSAT HORIZON is our answer to the real-world challenges that engineers, installers, developers, and energy companies face every day."

— Lead Engineer, HSAT HORIZON Project, SOLARsk



Contacts:

Balkan regional manager:

Hristijan Mirceski

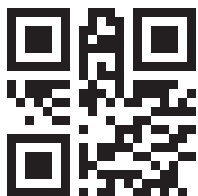
+38 971 289 619

h.mirceski@solarsk.com.ua

+38 097 641 80 20

(Viber, Telegram, WhatsApp)

office@solarsk.com.ua



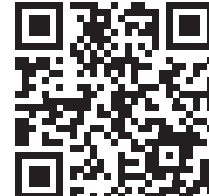
solarssk.com



Facebook



LinkedIn



Instagram